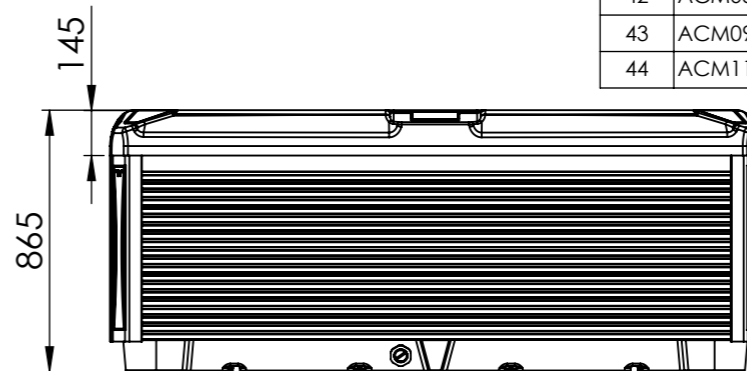
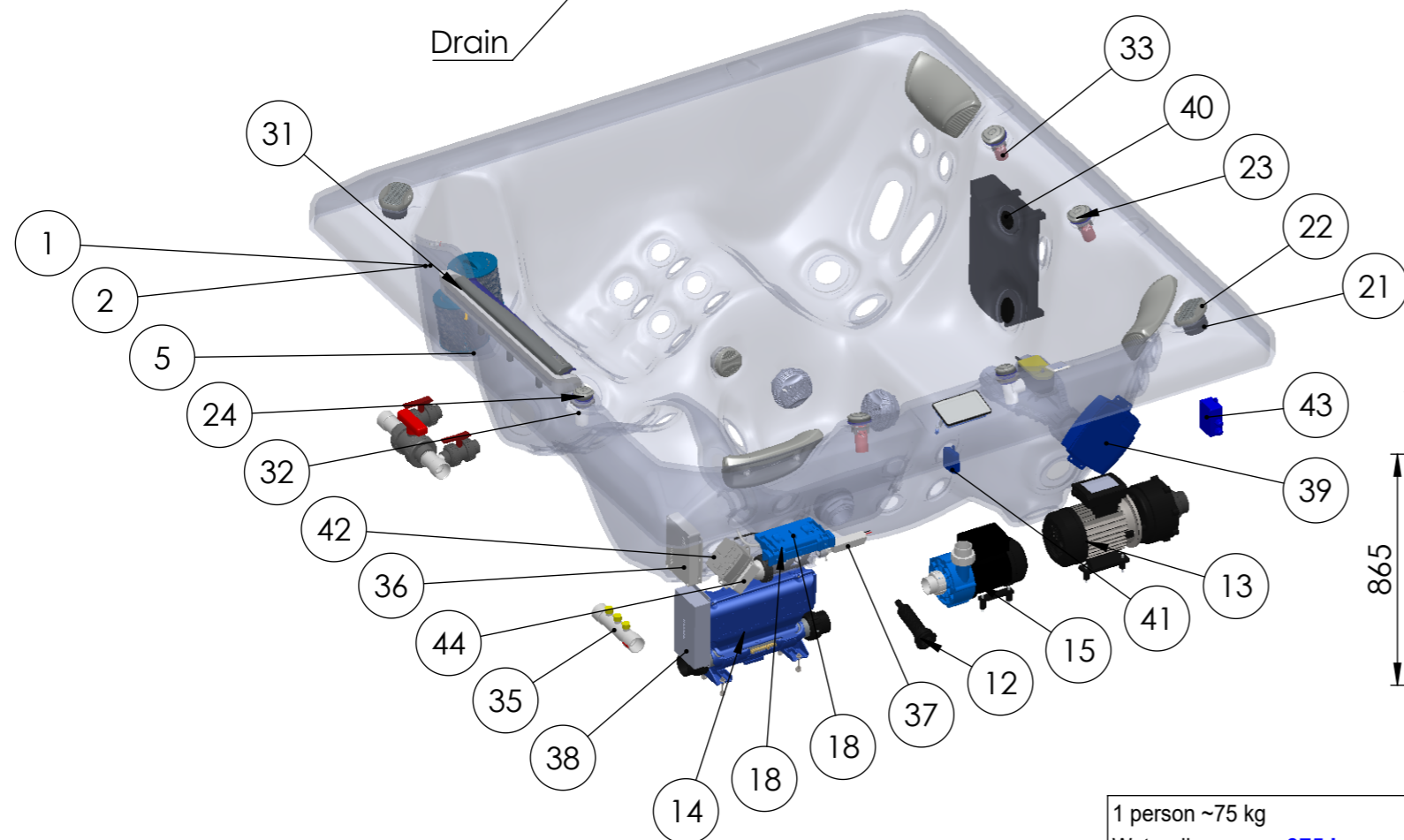


Electrical connection suggested side

Heat exchanger outlet

Drain



No.	Art. No.	IFS Name	Pcs
1	AKU2647	Led housing with seal	2
2	AKU2219	Nut for ledhouse	2
3	AKU2683	Waterfall 60 cm	1
4	ABE0525		3
5	AKU1840	Filter holder - 48 mm	2
6	AJ00291	Jet ozone with sealing V2	1
7	AJ00282	Jet water circulation self-levelling medium gray for life	1
8	AJ00277	7" jet body oscillator 2020	4
9	AJ00278	7" jet fixation console 2020	4
10	AKU2697	Underwater light housing (Optional)	1
11	AKU2692	Cap for underwater light Web/City (Optional)	1
12	AKU0084	Water Drain - 20 RB V2	1
13	ACM0394	Spa Pump 3/0.6 HP - Two Speed	1
14	ACM1051	Control box In.YE-3	1
15	ACM0846	Circulation pump WTC50M 250 W 0.33 Hp	1
16	ABE0621	Ozon mixer - Housing	1
17	ABE0620	Mixer housing	1
18	ACM0999	Ozone - Generator P54 100 mA	1
19	ACM0969	Keypad for electrical water diverter	1
20	ACM0860	Control Panel - IN.K1001	1
21	ACM0874	Speaker 3" (2 way)	2
22	ACM0972	Speaker grill Life	2
23	AKU2717	Air regulator grip light gray Life Wellis	3
24	AKU2719	On-off tap grip light gray Life Wellis	2
25	AJ00266	3" jet face 2020	34
26	AJ00265	3" jet insert 2020	34
27	AJ00273	5" jet face 2020	13
28	AJ00271	5" jet insert spinning 2020	13
29	AF00066	Pillow 24x17 light gray	3
30			1
31	AKU0136	Spa Filter - 175 x 152 - Wellis Antimicrobial blue (fine Thread)	2
32	AKU2718	On-Off tap house 33 transparent V2	2
33	AKU2716	Air regulator house, Light gray Life	3
34	ACM0968	Electrical Waterdiverter	1
35	AE00874	WIS probe housing (Optional)	1
36	ACM1128	WIS main unit (Optional)	1
37	ACM1129	WIS power adapter (Optional)	1
38	ACM1072	LED extender 12/5 V	1
39	ACM0998	IN.STREAM-2 with quick connector	1
40	ACM0849	Subwoofer 288W	1
41	ACM0901	Wifi receiver in.touch 2 Gecko EU&UK	1
42	ACM0881	In.Grid external heater controller and 4 ways connector	1
43	ACM0970	Control unit for electrical water diverter	1
44	ACM1191	In mix signal extender	1

Product family: **Wellis\PeakLife**

Sheet name: Makalu Life medence		Projection			
File name: FJ_WM00757_ENG_Makalu_life_medence					
Dimension SPA: 2150x2150x865 mm		Min.El. nds: 230 V - 16A - 50Hz / Opt.El. needs: 230V - 25A - 50Hz			
Weight of the SPA: 393 kg		Raklap 2200x950 Rio2 - AE0362		Control box: GECKO YE-3 + K1000	
Rim height: 145 mm		Approved by: Ress Tamás		Pr. No: WM00757	
Minimum water: 1070 liter		Created: 2023. 07. 03.		Number: WM00757	
		Drawer: ress.tamas - 2023. 07. 03. 9:13:43		Number: WM00757	
				Number: WM00757	
				Number: WM00757	

You must install a 30 mA residual-current device(RCD).

1 person ~75 kg	Weight of the SPA: 393 kg	Raklap 2200x950 Rio2 - AE0362	Control box: GECKO YE-3 + K1000
Water disp.: 375 kg	Rim height: 145 mm	Approved by: Ress Tamás	Pr. No: WM00757
Minimum water: 1070 liter	Created: 2023. 07. 03.	Drawer: ress.tamas - 2023. 07. 03. 9:13:43	Number: WM00757
			Number: WM00757
			Number: WM00757

Number: **WM00757**

A3 M 1:20 page 1 / 2

INSTALLATION INSTRUCTIONS

Installation, connection and electrical installation can be done only by professionals!

The given dimensions are for information only, they can differ in reality than written on the drawings, due to the manufacturing technology of the pools.

ATTENTION!

Pools are installed only when electric shock protection compliance of the installed residual-current device is stated by the installation personnel in written form.

COMMISSIONING INSTRUCTIONS

1. Preparation of the area

a. Interior/Basement

In case of placing the pool inside a building take in consideration the following requirements: The base must have a proper drain channel to prevent water collecting around the pool.

If building a new place for the pool, it is strongly recommended to install a floor drain to prevent damage due to water overflow or mechanical failure, etc.

If no floor drain is installed, our Company takes no responsibility for occurring damages.

Inside the room, where the pool is installed, humidity can highly increase. To prevent precipitating water and occurrence of fungus, proper ventilation of the room is highly recommended.

It is recommended to install a dehumidifier device in the room.

b. Outdoor/Closed terrace

For proper installation of the pool, a **solid, horizontal** base is essential. Make sure that the pool is properly supported.

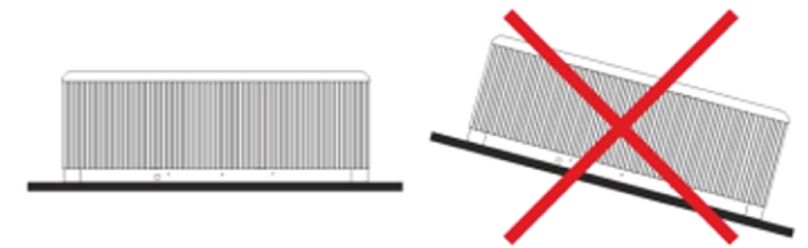
You must know the load capacity of the base.

Consult a specialist in architecture or a static engineer.

You can find the weight, contents and parts of the pool on the data table.

This weight should not exceed the calculated static capacity, otherwise damage can occur on the pool or base.

If the pool is installed outdoor, it is recommended to build a horizontal, reinforced concrete base with min. 10-15 cm thickness.



It is appropriate to make the drain channel in the base on the drain side of the pool. Its purpose is to take away splash water around the pool, or drain the released water.

It is also necessary to provide water drainage in the manhole.

The manhole should also ventilate properly. It is recommended to install an exhaust fan or other ventilation device.

Do not expose the empty pool to direct sunlight without adequate protection (pool cover). The long lasting sunlight can damage the surface of the pool or other accessories.

The acrylic surface quickly absorbs the heat from sunlight. Due to high surface temperature, the pool may be damaged.

In case the pool is installed between glass walls, prevent sunlight directly reaching the pool through the glass. Otherwise temperature can get very high.

2. Installation of the pool

When the pool is built-in (lowered into the ground), it is necessary to build a min. 60 cm wide manhole around the pool, to provide space for maintenance works.

When lowering the pool, **the acrylic side must be above the ground.** When not fulfilling these conditions, installation may fail!

The incurring cost of a possible lifting operation is borne by the customer!

3. Electrical installation

You must install a circuit breaker dedicated only for the pool, no other devices allowed to connect.

Cable length/cross-section specifications:

- Minimal demand: Until **10 m cable length: 1x16 A, 3x2.5 mm² cabling (230V)** - in this case the 3 HP motor and the heating CAN'T work simultaneously.

- Total demand: Until **10 m cable length: 1x25 A, 3x4 mm² cabling (230V)** - in this case the 3 HP motor and the heating CAN work simultaneously.

- If more than 10 m of cable is needed, consult a specialist.

- Installing the cables is recommended through the bottom cover (tray) by drilling a hole and using a cable gland. Recommended direction is shown on the drawing. Min. cable length for installation is 3 m.

- The exact way of electrical installation is always unique, highly dependant on the location and environment of the pool.

Additional electrical installation (cable, circuit breaker and residual-current device) is the customer's responsibility.

These parts are not included in the pool packaging, need to be purchased separately.

Every pool has a dedicated installation drawing.

Make sure that the pool is connected to a 30 mA residual-current device.

Use copper wiring only.

If a fuse fails, replace it only with same type of fuse with same technical parameters.

The device must be connected to the house's Equipotential Bonding Grid.

Product family: **Wellis\PeakLife**

Sheet name: INFO		Projection	
File name: FJ_WM00757_ENG_Makalu_life_medence			
Dimension SPA: 2150x2150x865 mm		Min.El. nds: 230 V - 16A - 50Hz / Opt.El. needs: 230V - 25A - 50Hz	
Weight of the SPA: 393 kg		Raklap 2200x950 Rio2 - AE0362	Control box: GECKO YE-3 + K1000
Rim height: 145 mm	Approved by: Ress Tamás	Pr. No:	Number: WM00757
Minimum water: 1070 liter	Created: 2023. 07. 03.	Fe. No:	B
	Drawer: ress.tamas - 2023. 07. 03. 9:13:43	A3	M 1:15
			page 2 / 2