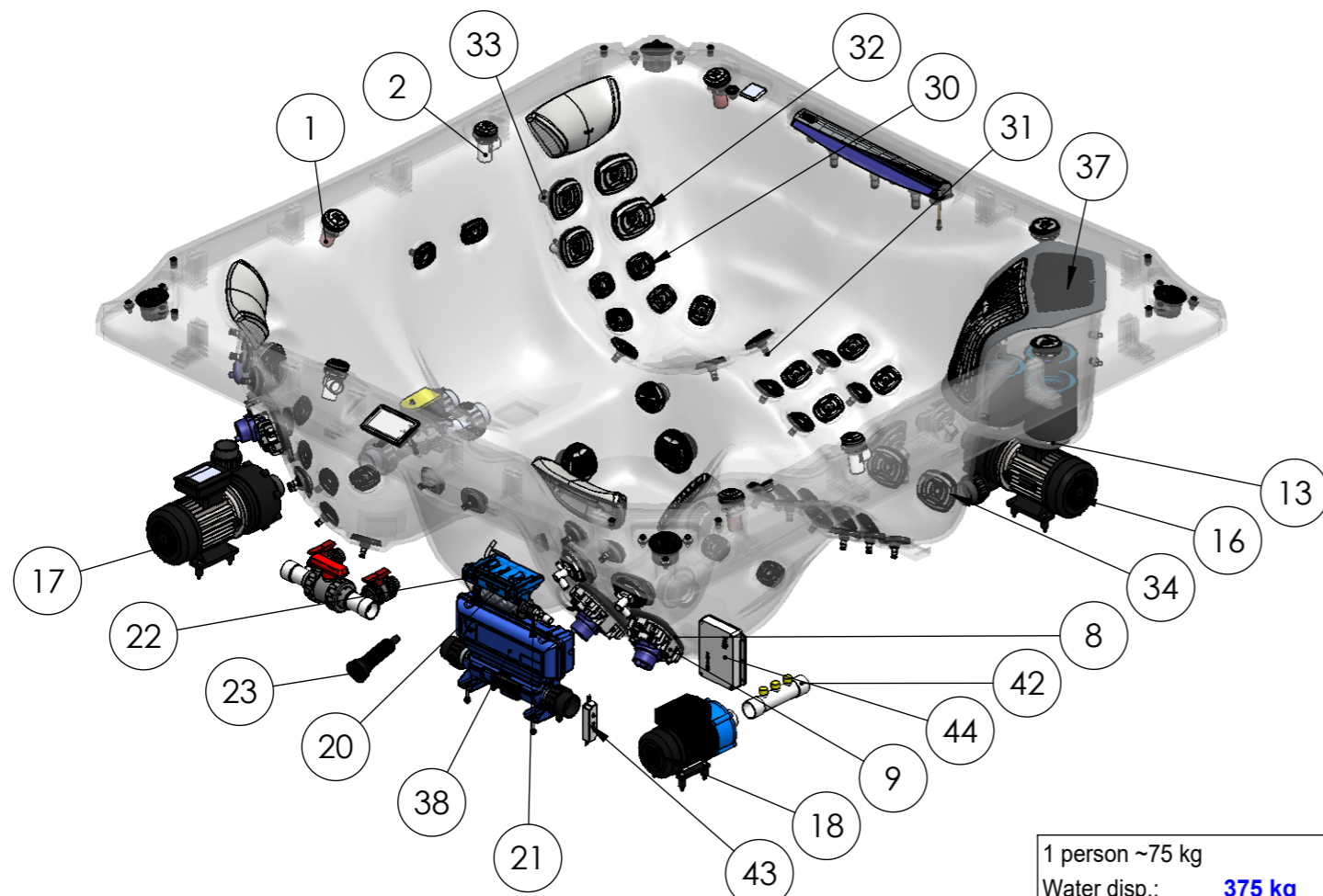


Electrical connection suggested side

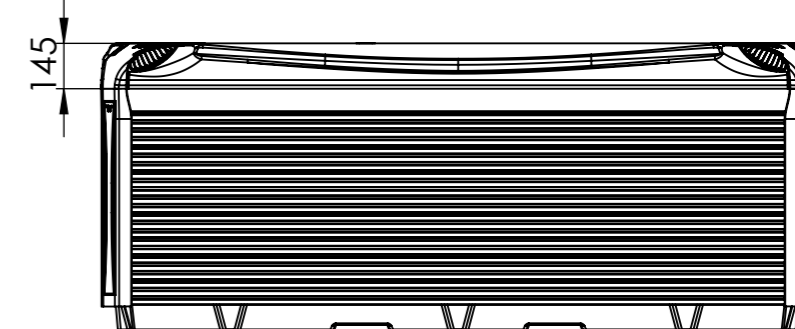
Drain pipe

Heat exchanger outlet



No.	Art. No.	IFS Name	Pcs
1	AKU2716	Air regulator house, Light gray Life	3
2	AKU2718	On-Off tap house 33 transparent V2	3
3	AKU2647	Led housing with seal	14
4	AKU2219	Nut for ledhouse	14
5	AKU2437	Cup Holder Light - lens wellis 2020	2
6	AKU2683	Waterfall 60 cm	1
7	AKU2680	Bushing for snap PeakLife	10
8	AJ00277	7" jet body oscillator 2020	6
9	AJ00278	7" jet fixation console 2020	6
10	ABE0525	Suction 2" with sealing Life	4
11	AJ00282	Jet water circulation self-levelling medium gray for life	1
12	AJ00291	Jet ozone with sealing V2	1
13	AKU1840	Filter holder - 48 mm	3
14	AKU2686	Cap for underwater light EVE/KIL/ELB Life	1
15	AKU2697	Underwater light housing	1
16	ACM0394	Spa Pump 3/0.6 HP - Two Speed	1
17	ACM0394	Spa Pump 3/0.6 HP - Two Speed	1
18	ACM0846	Circulation pump WTC50M 250 W 0.33 Hp	1
19	ACM0968	Electrical Waterdiverter	1
20	ABE0621	Ozon mixer - Housing	1
21	ABE0620	Mixer housing	1
22	ACM0999	Ozone - Generator P54 100 mA	1
23	AKU0084	Water Drain - 20 RB V2	1
24	ACM0969	Keypad for electrical water diverter	1
25	ACM0874	Speaker 3" (2 way)	4
26	ACM0912	Control Panel - IN.K1000 V2	1
27	ACM0763	Control Panel - AUX One Button IN.K110	2
28	AKU2717	Air regulator grip light gray Life Wellis	3
29	AKU2719	On-off tap grip light gray Life Wellis	3
30	AJ00266	3" jet face 2020	52
31	AJ00265	3" jet insert 2020	52
32	AJ00273	5" jet face 2020	10
33	AJ00272	5" jet insert swirling 2020	6
34	AJ00270	5" jet insert directional 2020	4
35	AF00066	Pillow 24x17 light gray	3
36	AKU0136	Spa Filter - 175 x 152 - Wellis Antimicrobial blue (fine Thread)	3
37	AKU2236	Skimmer with opening cover	1
38	ACM1051	Control box In.YE-3	1
39	AJ00269	5" jet body Life	10
40	AJ00275	5" jet washer 2020	10
41	AJ00274	5"jet nut 2020	10
42	AE00874	WIS probe housing (Optional)	1
43	ACM1129	WIS power adapter (Optional)	1
44	ACM1128	WIS main unit (Optional)	1

You must install a 30 mA residual-current device (RCD).



Product family: Wellis\PeakLife

Sheet name: Everest Life spa		Projection		
File name: FJ_WM00754_ENG_Everest_life_medence				
Dimension SPA: 2360x2360x950 mm		Min.El. nds: 230 V - 25A - 50Hz / Opt.El. needs: 400V - 3x16A - 50Hz		
Weight of the SPA: 452 kg	AE00897 - Raklap 2370x980	Control box: Gecko IN.YE-3 + IN.K1000		
Rim height: 145 mm	Approved by: RESS TAMÁS	Pr. No:	Number: WM00754	C
Minimum water: 1382 liter	Created: 2023. 07. 03.	Drawer: res.s.tamas - 2023. 07. 03. 15:07:58	A3	M 1:20
				page 1 / 2

File path: C:\WELLIS_PDM\Beto_PDM\akak\U_Dokumentum_rendezes\FJ_WM_100

INSTALLATION INSTRUCTIONS

Installation, connection and electrical installation can be done only by professionals!

The given dimensions are for information only, they can differ in reality than written on the drawings, due to the manufacturing technology of the pools.

ATTENTION!

Pools are installed only when electric shock protection compliance of the installed residual-current device is stated by the installation personnel in written form.

COMMISSIONING INSTRUCTIONS

1. Preparation of the area

a. Interior/Basement

In case of placing the pool inside a building take in consideration the following requirements: The base must have a proper drain channel to prevent water collecting around the pool.

If building a new place for the pool, it is strongly recommended to install a floor drain to prevent damage due to water overflow or mechanical failure, etc.

If no floor drain is installed, our Company takes no responsibility for occurring damages.

Inside the room, where the pool is installed, humidity can highly increase. To prevent precipitating water and occurrence of fungus, proper ventilation of the room is highly recommended.

It is recommended to install a dehumidifier device in the room.

b. Outdoor/Closed terrace

For proper installation of the pool, a **solid, horizontal** base is essential. Make sure that the pool is properly supported.

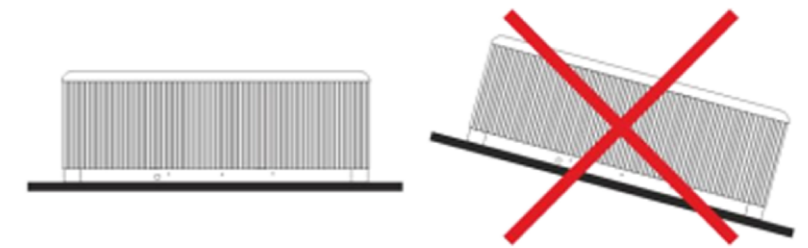
You must know the load capacity of the base.

Consult a specialist in architecture or a static engineer.

You can find the weight, contents and parts of the pool on the data table.

This weight should not exceed the calculated static capacity, otherwise damage can occur on the pool or base.

If the pool is installed outdoor, it is recommended to build a horizontal, reinforced concrete base with min. 10-15 cm thickness.



It is appropriate to make the drain channel in the base on the drain side of the pool. Its purpose is to take away splash water around the pool, or drain the released water.

It is also necessary to provide water drainage in the manhole.

The manhole should also ventilate properly. It is recommended to install an exhaust fan or other ventilation device.

Do not expose the empty pool to direct sunlight without adequate protection (pool cover). The long lasting sunlight can damage the surface of the pool or other accessories.

The acrylic surface quickly absorbs the heat from sunlight. Due to high surface temperature, the pool may be damaged.

In case the pool is installed between glass walls, prevent sunlight directly reaching the pool through the glass. Otherwise temperature can get very high.

2. Installation of the pool

When the pool is built-in (lowered into the ground), it is necessary to build a min. 60 cm wide manhole around the pool, to provide space for maintenance works.

When lowering the pool, **the acrylic side must be above the ground.** When not fulfilling these conditions, installation may fail!

The incurring cost of a possible lifting operation is borne by the customer!

3. Electrical installation

You must install a circuit breaker dedicated only for the pool, no other devices allowed to connect.

Cable length/cross-section specifications:

- Minimal demand: Until **10 m cable length: 1x16 A, 3x2.5 mm² cabling (230V)** - in this case the 3 HP motor and the heating CAN'T work simultaneously.

- Total demand: Until **10 m cable length: 1x25 A, 3x4 mm² cabling (230V)** - in this case the 3 HP motor and the heating CAN work simultaneously.

- If more than 10 m of cable is needed, consult a specialist.

- Installing the cables is recommended through the bottom cover (tray) by drilling a hole and using a cable gland. Recommended direction is shown on the drawing. Min. cable length for installation is 3 m.

- The exact way of electrical installation is always unique, highly dependant on the location and environment of the pool.

Additional electrical installation (cable, circuit breaker and residual-current device) is the customer's responsibility.

These parts are not included in the pool packaging, need to be purchased separately.

Every pool has a dedicated installation drawing.

Make sure that the pool is connected to a 30 mA residual-current device.

Use copper wiring only.

If a fuse fails, replace it only with same type of fuse with same technical parameters.

The device must be connected to the house's Equipotential Bonding Grid.

Product family: **Wellis\PeakLife**

Sheet name: INFO	Projection	
File name: FJ_WM00754_ENG_Everest_life_medence		
Dimension SPA: 2360x2360x950 mm	Min.El. nds: 230 V - 25A - 50Hz / Opt.El. needs: 400V - 3x16A - 50Hz	
Weight of the SPA: 452 kg	AE00897 - Raklap 2370x980	Control box: Gecko IN.YE-3 + IN.K1000
Rim height: 145 mm	Approved by: Ress Tamás	Pr. No: Fe. No:
Number: WM00754	A3	M 1:15
Created: 2023. 07. 03.	Drawer: ress.tamas - 2023. 07. 03. 15:07:58	page 2 / 2

1 person ~75 kg	
Water disp.: 375 kg	
Minimum water: 1382 liter	