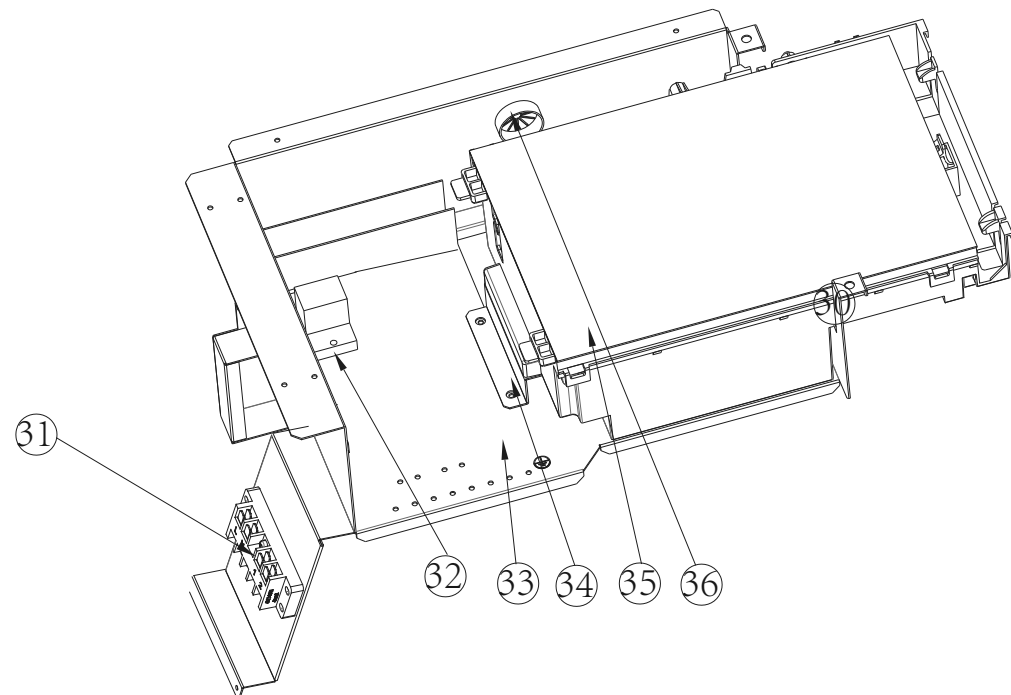
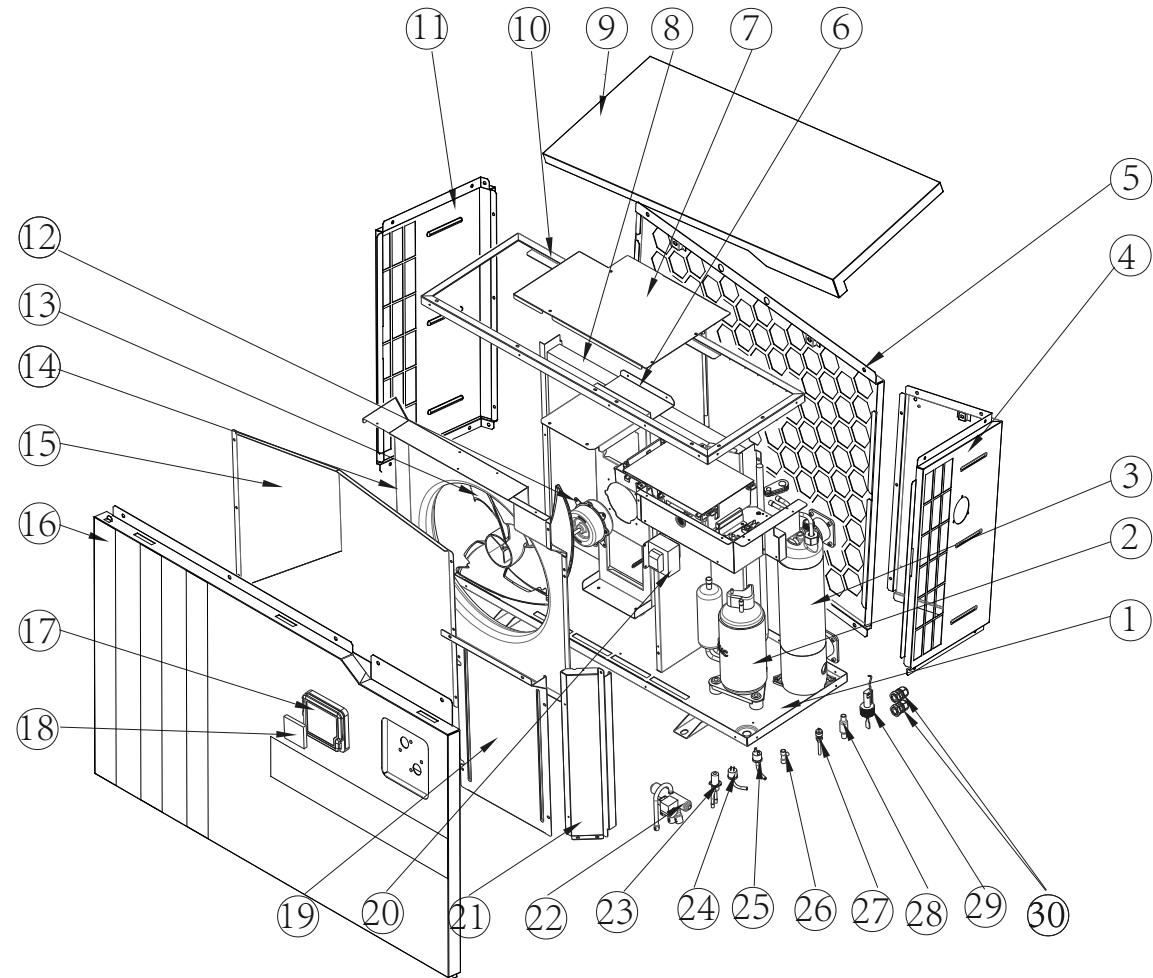


7031953 - NORSUP HEAT PUMP INVERTER, TYPE SILENT-PRO (TYPE 13)



7031953 - NORSUP HEAT PUMP INVERTER, TYPE SILENT-PRO (TYPE 13)

| NR. | DESCRIPTION | PART NR. |
|-----|-------------------------|----------|
| 1 | Chassis | |
| 2 | Compressor | |
| 3 | Titanium heat exchanger | 7034048 |
| 4 | Right panel | |
| 5 | Back net | |
| 6 | Motor bracket | |
| 7 | Electric box cover | |
| 8 | Finned heat exchanger | |
| 9 | Top cover | |
| 10 | Top panel | |
| 11 | Left side panel | |
| 12 | Fan motor | 7034049 |
| 13 | Fan blade | 7034050 |
| 14 | Wind deflector | |
| 15 | Wind deflector | |
| 16 | Wind deflector | |
| 17 | Waterproof box | 7034051 |
| 18 | CP203 User Interface | 7034052 |
| 19 | Panel | |
| 20 | Reactor | 7034053 |
| 21 | Bracket | |
| 22 | 4-way-valves | 7034054 |
| 23 | EEV | 7034055 |
| 24 | High pressure switch | 7034056 |
| 25 | Low pressure switch | 7034057 |
| 26 | 3-way pipe | |
| 27 | Needle valve | 7034058 |
| 28 | Filter | |
| 29 | Water flow switch | 7034059 |
| 30 | Over wire sheath | |
| 31 | 5-position wiring base | 7034060 |
| 32 | Reply | 7034061 |
| 33 | Electrical box | |
| 34 | Fixing plate | |
| 35 | Inverter drive module | 7034062 |
| 36 | Over wire sheath | |