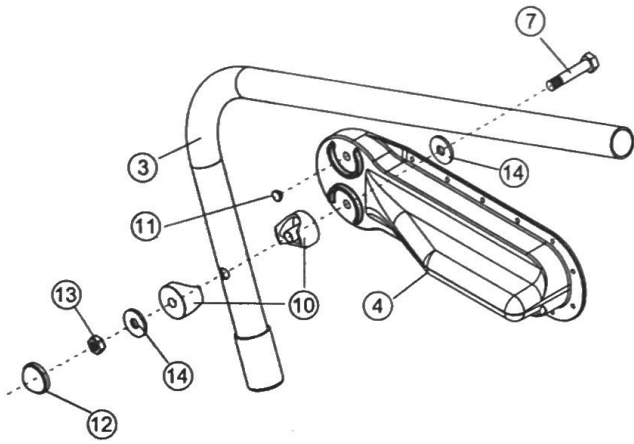
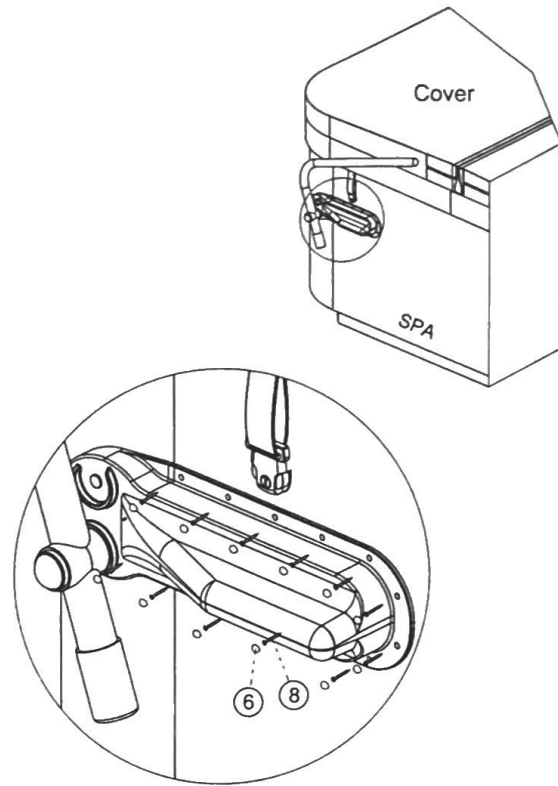


Installation steps One: Install the stents on both sides respectively

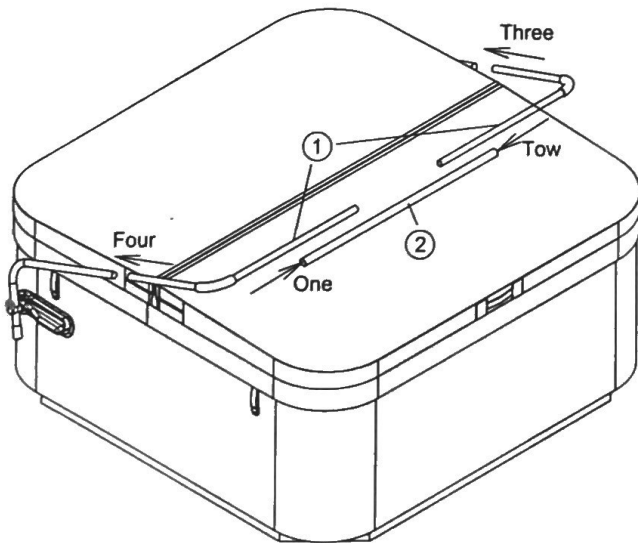


A distinction placed L&R

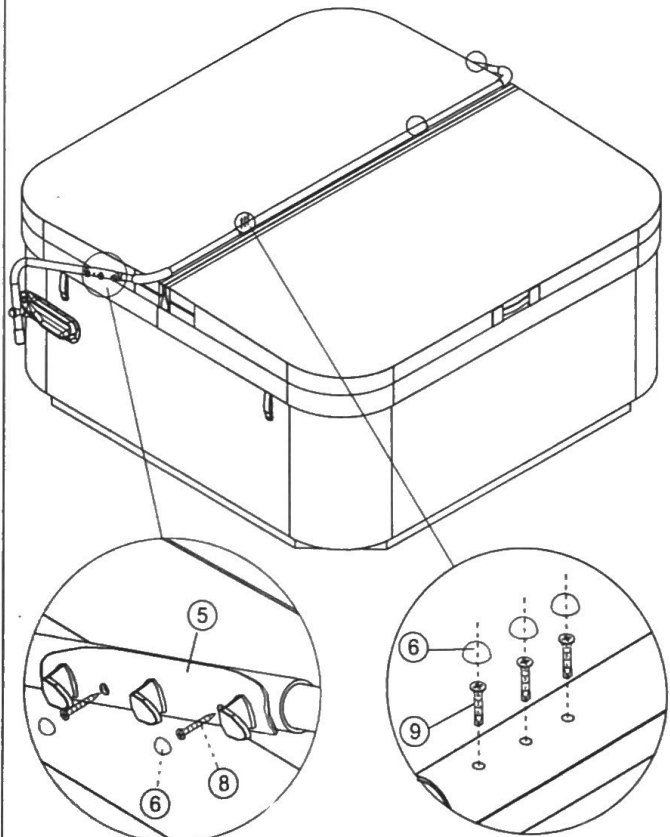
Installation steps Two: Arrange the bottom position and lock screws



Installation steps three: lock the stents onto the spa

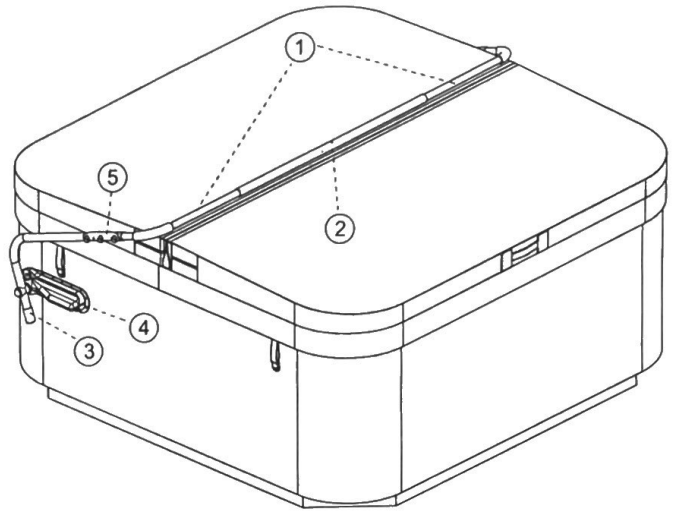


Installation steps four: Locate the lifter, and lock screws

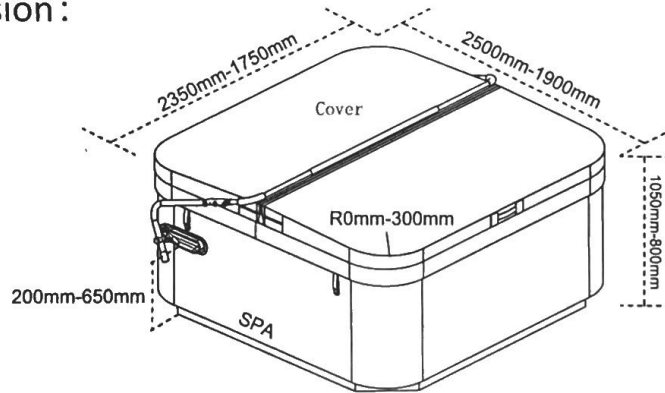


List Of Contents:

NO	QTY	Shape / name	NO	QTY	Shape / name
①	2		⑬	2	Ø10
②	1		⑭	4	Ø30
③	2		⑮	1	
④	2		⑯	1	Ø3.2
⑤	1				
⑥	40				
⑦	2	10X96			
⑧	26	5X30			
⑨	16	5X19			
⑩	4				
⑪	2				
⑫	2	Ø33			



Available dimension :



Assembly drawing :

